



ORBITAL WELD HEAD FCH 3-12

/ TIG Orbital welding without filler wire



/ Closed orbital weld head for welding thin-walled pipes with particularly small diameters such as microfittings. The closed shielding gas chamber ensures the highest seam quality, which is required in the pharmaceutical, biochemical, aerospace and semiconductor industries.

FEATURES

- / Extremely compact and narrow design for optimum accessibility in confined space conditions
- / Optimum gas protection to avoid coloration
- / Maintenance-friendly design
- / High usability due to integrated control buttons
- / Weld head with 6m hosepack
- / Effective gas cooling
- / Quick change of clamping cassettes
- / Integrated servo motor
- / Automatic drive to opening position
- / Automatic drive stop when overloaded
- / Compatible with FPA 3020/3030 Orbital system controllers

DELIVERY SCOPE

- / FCH 3-12 weld head with 6m hose pack
- / Tools and spare parts box
- / Transport case



/ Excellent welding results due to closed shielding gas chamber

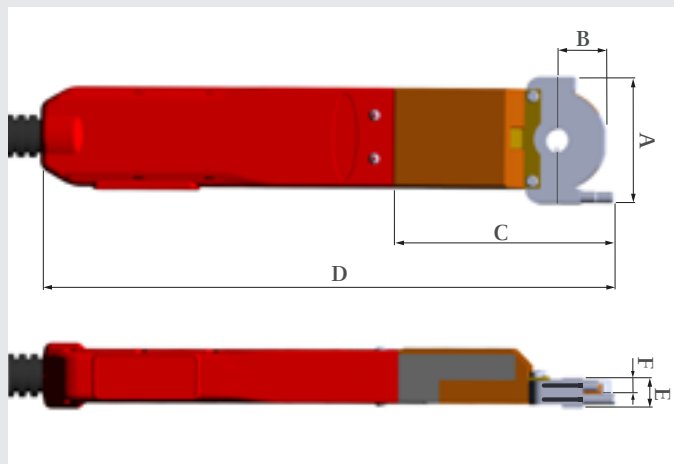


/ Integrated control buttons



/ Sturdy transport case with foam inlay

TECHNICAL DATA



TECHNICAL DATA	FCH 3-12
Pipe outer diameter range	3,17 - 12,7 mm (0.12 - 0.5 inch)
Max. wall thickness	1,25 mm (0.049 inch)
Electrode diameter	1 mm (0.03 inch)
Dimensions	
A	64 mm (2.51 inch)
B	22,7 mm (0.89 inch)
C	103,3 mm (4.06 inch)
D	277,5 mm (10.92 inch)
E	12 mm (0.47 inch)
F	6 mm (0.23 inch)
Max. temperature of upper clamping shell	100° C (212° F)
Max. current	50 A
Weight (incl. hose pack)	3,6 kg (7.93 lbs)

ACCESSORIES



ACCESSORIES	Article number
Clamping cassette Ø 3,17 mm (0,125 inch)	48,0005,0565
Clamping cassette Ø 6,00mm (0,236 inch)	48,0005,1224
Clamping cassette Ø 6,35mm (0,250 inch)	48,0005,1225
Clamping cassette Ø 8,00mm (0,315 inch)	48,0005,1509
Clamping cassette Ø 9,53mm (0,368 inch)	48,0005,1573
Clamping cassette Ø 10,00mm (0,394 inch)	48,0005,1574
Clamping cassette Ø 12,00mm (0,472 inch)	48,0005,1575
Clamping cassette Ø 12,70mm (0,5 inch)	48,0005,1576
Clamping cassette - additional diameters	on request
Extension hose pack FCH/FOH 10 m	38,0100,0440

/ Perfect Welding / Solar Energy / Perfect Charging

THREE BUSINESS UNITS, ONE GOAL: TO SET THE STANDARD THROUGH TECHNOLOGICAL ADVANCEMENT.

What began in 1945 as a one-man operation now sets technological standards in the fields of welding technology, photovoltaics and battery charging. Today, the company has around 5,440 employees worldwide and 1,264 patents for product development show the innovative spirit within the company. Sustainable development means for us to implement environmentally relevant and social aspects equally with economic factors. Our goal has remained constant throughout: to be the innovation leader.

Further information about all Fronius products and our global sales partners and representatives can be found at www.fronius.com

Fronius Canada Ltd.
2875 Argentia Road, Units 4,5 & 6
Mississauga, ON L5N 8G6
Canada
Telephone +1 905 288-2100
Fax +1 905 288-2101
sales.canada@fronius.com
www.fronius.ca

Fronius USA LLC
6797 Fronius Drive
Portage, IN 46368
USA
Telephone +1 877 FRONIUS
sales.usa@fronius.com
www.fronius-usa.com

Fronius UK Limited
Maidstone Road, Kingston
Milton Keynes, MK10 0BD
United Kingdom
Telephone +44 1908 512 300
Fax +44 1908 512 329
info-uk@fronius.com
www.fronius.co.uk

Fronius International GmbH
Froniusplatz 1
4600 Wels
Austria
Telephone +43 7242 241-0
Fax +43 7242 241-953940
sales@fronius.com
www.fronius.com